

CUSTOMER NAME

BASIC CONCEPT DRAWINGS AND SPECIFICATIONS FOR COLLECTION SYSTEMS AND DUCT LAYOUT

IWI PROJECT #X XXXX-XX X

DRAWING INDEX		
CAD FILE	DRAWING NO.	DRAWING DESCRIPTION
011255-00.dwg	-	COVER SHEET & GENERAL NOTES DUST COLLECTION SYSTEMS
011255-01.dwg	-	GENERAL ARRANGEMENT FOR DUCT LAYOUT
011255-02.dwg	-	B.O.M. AND SECTION CUT LOCATIONS
011255-03.dwg	-	BLOWER DETAIL
011255-04.dwg	-	TORIT DETAIL (MODEL 2/5/15)
011255-05.dwg	-	ROTARY VALVE DETAIL
011255-06.dwg	-	PLAN VIEW/CUT SECTION ELEVATION "A-A" & "B-B"
011255-07.dwg	-	PLAN VIEW/CUT SECTION ELEVATION "C-C"
011255-08.dwg	-	PLAN VIEW/CUT SECTION ELEVATION "D-D"
011255-09.dwg	-	PLAN VIEW/CUT SECTION ELEVATION "E-E"
011255-10.dwg	-	TRANSITION DETAIL'S

- DUCTWORK NOTES**
- THE FOLLOWING NOTES APPLY TO ALL MANUFACTURED OR FABRICATED ITEMS SUPPLIED FOR THIS PROJECT UNLESS SPECIFICALLY NOTED OTHERWISE ON INDIVIDUAL DRAWING DETAILS OR PROJECT DOCUMENTATION
- THE FABRICATING/INSTALLING CONTRACTOR SHALL PERFORM ALL WORK IN A PERMANENT AND FIRST CLASS WORKMANLIKE MANNER CONFORMING TO THE BEST ACCEPTED PRACTICE AND GOVERNING CODES AND STANDARDS.
 - SHEET METAL CONSTRUCTION SHALL CONFORM TO THE MOST STRINGENT RECOMMENDATIONS AND REQUIREMENTS OF THE STATE OF ILLINOIS AND OF REFERENCED CODES AND STANDARDS. WHERE CONSTRUCTION METHODS OR REQUIREMENTS ARE NOT FULLY DESCRIBED IN PROJECT SPECIFICATIONS OR DRAWINGS, THE CONTRACTOR SHALL INFORM THE ENGINEER AND PERFORM ALL WORK IN A MANNER ACCEPTABLE TO THE ENGINEER AND THE OWNER'S REPRESENTATIVE. IN THE CASE OF A CONFLICT OF REQUIREMENTS, THE MOST STRINGENT REQUIREMENT IN THE OWNER'S INTEREST SHALL APPLY.
 - THE PREFERRED DUCTWORK ROUTING IS AS SHOWN ON BID DOCUMENTS. DUCTING MAY BE ROUTED BELOW THE BOTTOM CHORD OF THE BUILDING TRUSSES, WHERE IT DOES NOT INTERFERE WITH CRANES, HOIST, MONORAIL OPERATIONS, UNLESS OTHERWISE NOTED BY THE SPECIFICATIONS OR OWNER'S REPRESENTATIVE. IN ALL CASES, DUCT SHOULD CLEAR INTERFERENCES BY AT LEAST 3".
 - THE CONTRACTOR SHALL FURNISH AND INSTALL SUPPLEMENTARY BUILDING STRUCTURAL MEMBERS, SUPPORTS AND HANGING DEVICES AS REQUIRED TO SUPPORT HIS WORK. PURCHASED SUPPORT DEVICES SUCH AS BEAM CLAMPS, ETC. SHALL BE UL APPROVED.
 - FABRICATION IN ALL INSTANCES SHALL BE SUCH AS TO GUARANTEE FREEDOM FROM VIBRATION, RATTLE, OR DRUMMING UNDER ALL OPERATING CONDITIONS. THE CONTRACTOR SHALL PROVIDE ALL NECESSARY REINFORCEMENTS, BRACING, FRAMING, GIRDING, GASKETING ETC., FOR SUCH CONSTRUCTION, WHETHER OR NOT THEY ARE SPECIFICALLY CALLED FOR OR DETAILED ON REFERENCE DRAWINGS OR DOCUMENTS.
 - THE CONTRACTOR SHALL INSTALL ALL SHEET METAL FREE AND CLEAN OF ALL OIL AND GREASE.
 - ALL SHEET METAL WORK SHALL BE NEATLY FABRICATED TO FORM A STIFF AND RIGID CONSTRUCTION, FREE FROM APPARENT SAG OR DISTORTION BETWEEN HANGERS. ALL HORIZONTAL RUNS SHALL BE INSTALLED WITH A LEVEL CENTERLINE, UNLESS DRAWINGS INDICATE A REQUIRED SLOPE FOR DRAINAGE. ALL HORIZONTAL DUCT TO PARALLEL BUILDING LINES. ALL VERTICAL RISERS SHALL BE PLUMB.
 - THE CONTRACTOR SHALL PROVIDE ALL NECESSARY OFFSETS AND TRANSITIONS REQUIRED IN THE DUCTWORK TO INCREASE HEADROOM OR AVOID INTERFERENCES WITH BUILDING CONSTRUCTION, PIPING AND/OR PLANT EQUIPMENT. SUCH OFFSETS MAY NOT BE APPARENT ON BID DOCUMENTS. BIDDING CONTRACTORS ARE RESPONSIBLE FOR REVIEWING ALL DUCTWORK ROUTING AND INSTALLATION REQUIREMENTS PRIOR TO SUBMITTING BIDS. ANY ADDITIONAL OFFSETS REQUIRED SHOULD BE INCLUDED IN THE ORIGINAL BID.
 - FLEXIBLE DUCTWORK SHALL NOT BE USED WITHOUT WRITTEN PERMISSION OF THE ENGINEER OR OWNER'S REPRESENTATIVE, EXCEPT AS SPECIFICALLY INDICATED ON BID DOCUMENTS. WHERE FLEXIBLE DUCT IS REQUIRED, A NON-COLLAPSIBLE TYPE SHALL BE USED, AND LENGTHS KEPT TO A MINIMUM.
 - NUTS USED ON DUCT HANGERS SHALL BE HEAVY HEX WITH JAM NUT ASSEMBLY.
 - ALL BOLTED JOINTS SHALL BE GASKETED OR SEALED AIRTIGHT WITH AN ACCEPTED DUCT SEALANT COMPOUND. SEALANT SHALL BE APPLIED AROUND THE ENTIRE CIRCUMFERENCE OF THE FLANGE, AND AROUND ALL BOLT HOLES, IN CONTINUOUS BEAD, PRIOR TO FLANGE MATING.
 - SELECTION OF THE DUCT HANGING AND SUPPORT SYSTEM SHALL BE AT THE CONTRACTOR'S OPTION BASED ON ACCEPTABLE GUIDELINES SHOWN ON ENGINEERS DRAWINGS AND DESCRIBED IN REFERENCED CODES AND STANDARDS. LOCATION OF HANGERS SHALL TAKE INTO ACCOUNT: STRUCTURAL LOADS UNDER NORMAL AND ABNORMAL CONDITIONS, VIBRATION AND OTHER APPLICABLE SAFETY FACTORS. AFTER START-UP, ANY HANGER WHICH IS SUBJECT TO VIBRATORY FAILURE, SHALL BE REPLACED OR REMEDIED TO THE SATISFACTION OF THE OWNER'S REPRESENTATIVE. SPECIAL CARE SHALL BE TAKEN TO PREVENT CASCADING FAILURE. ALL HANGERS AND SUPPORTS SHALL BE DESIGNED TO SUPPORT DUCTWORK FILLED 50% WITH 100 LB/CU.FT. MATERIAL. DUCTS SHALL BE SUFFICIENTLY SUPPORTED SO THAT NO LOAD IS PLACED ON CONNECTED EQUIPMENT.

- GENERAL NOTES**
- MATERIALS OF CONSTRUCTION AND GAGES FOR DUCTWORK SHALL BE AS FOLLOWS:
 FITTINGS ----- 2 GAGES HEAVIER THEN STRIGHT
 4" THROUGH 6" --- 24 GAGES
 7" THROUGH 12" --- 22 GAGES
 12" THROUGH 22" --- 20 GAGES
 24" THROUGH 40" --- 18 GAGES
 42" THROUGH 48" --- 16 GAGES
 MANUFACTURERS STANDARD GAGE GALVANIZED DUCTWORK MAY BE USED ON THE DISCHARGE SIDE OF THE EXHAUST FANS. INSTALLING CONTRACTOR IS RESPONSIBLE FOR MAKING ANY INSTALL WATER-TIGHT.
 - HEIGHTS AND DIMENSIONS SHOWN FOR DUCTWORK AND EQUIPMENT SHALL BE CONSIDERED APPROXIMATE, AND MAY CHANGE AS REQUIRED BY FIELD CONDITIONS. FABRICATING/INSTALLING CONTRACTOR IS RESPONSIBLE FOR VERIFYING BY FIELD MEASURE, PRIOR TO FABRICATION, ANY QUESTIONABLE OR "TIGHT" DIMENSION SHOWN, IF DUCT INVOLVED WILL NOT ALLOW FIELD ADJUSTMENTS.
 - CONTRACTOR TO PROVIDE ALL NECESSARY HARDWARE.
 - ALL DUCT TO HAVE EITHER HAVE BOLTED CONNECTIONS OR CLAMP STYLE CONNECTIONS.
 - DUCTWORK CONSTRUCTION TO BE CLEAR THRU DESIGN.


CODES

APPLICABLE SECTIONS OF THE FOLLOWING CODES SHALL APPLY TO THE FABRICATION AND ERECTION OF THE EQUIPMENT, DUCTWORK AND ACCESSORIES SUPPLIED ON THIS PROJECT

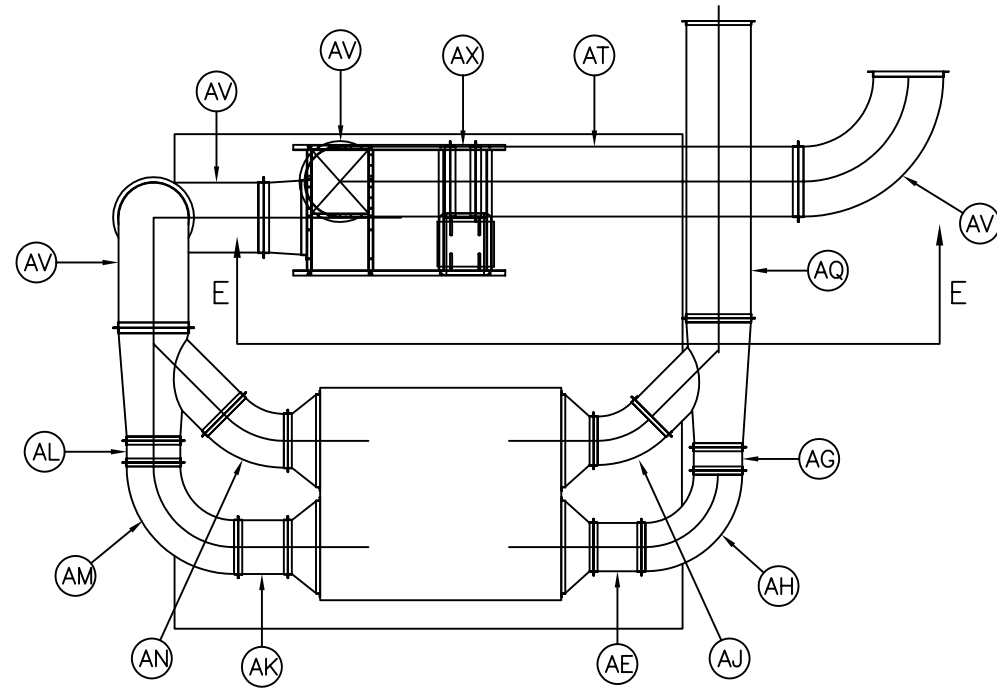
AABC	ASSOCIATED AIR BALANCE COUNCIL
ACGIH	AMERICAN CONFERENCE OF GOVERNMENTAL INDUSTRIAL HYGIENIST
AFBMA	ANTI-FRICTION BEARING MANUFACTURER'S ASSOCIATION
AISC	AMERICAN INSTITUTE OF STEEL CONSTRUCTION
AISI	AMERICAN IRON AND STEEL INSTITUTE
AMCA	AIR MOVING AND CONDITIONING ASSOCIATION
ANSI	AMERICAN NATIONAL STANDARDS INSTITUTE
ASME	AMERICAN SOCIETY OF MECHANICAL ENGINEERS
ASTM	AMERICAN SOCIETY OF TESTING MATERIALS
AWS	AMERICAN WELDING SOCIETY
SAE	SOCIETY OF AUTOMOTIVE ENGINEERS
SMACNA	SHEET METAL AND AIR CONDITIONING CONTRACTORS NATIONAL ASSOCIATION STEEL STRUCTURES PAINTING COUNCIL
SSPC	

ABBREVIATIONS

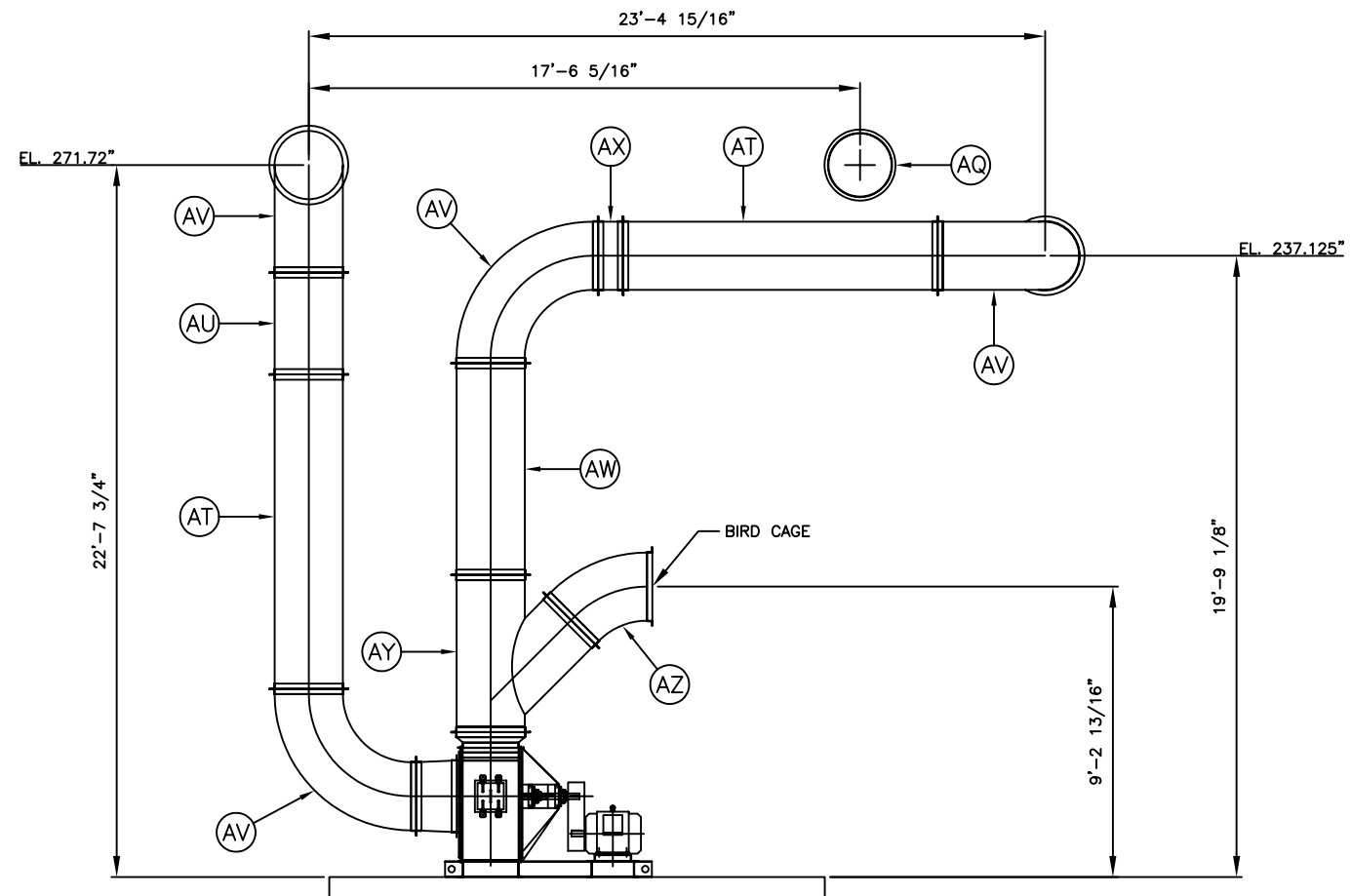
AD	ACCESS DOOR
DP	DAMPER
DS	DUCT SUPPORT
HD	HOOD
OR	ORIFICE PLATE
TP	TEST PORT
▶	FLOW DIRECTION
▷	FLOW DIRECTION - CLEAN AIR

REV.	DATE	BY	DESCRIPTION
			
<p>1300 ROCKEFELLER ROAD WICKLIFFE, OHIO 44092 216/585-5800 FAX 216/585-2570</p> <p style="text-align: right;">TORIT/DAY MAYFRAN YALE HOIST AMERICAN MONORAIL</p>			
IWI JOB NO. X XXXX-XX X		SD NO. -	
THE TECHNICAL AND MECHANICAL INFORMATION CONTAINED HEREON IS PROPRIETARY AND CONFIDENTIAL INFORMATION OF IWI, INC. COPYING, REPRODUCING OR DISCLOSING THIS INFORMATION AND/OR DRAWING WITHOUT THE PRIOR WRITTEN CONSENT OF IWI, INC. IS PROHIBITED. OHIO REVISED CODE SECTION 1333.51. RETENTION AND/OR USE OF THIS INFORMATION ACKNOWLEDGES ACCEPTANCE OF ALL THE TERMS, CONDITIONS AND LIABILITIES THEREOF.			
CUSTOMER NAME CUSTOMER ADDRESS CITY, STATE, ZIP CODE			
TITLE COVER SHEET AND GENERAL NOTES DUST COLLECTION SYSTEM			
SCALE: -	DRAWN BY: IWI INC.	DRAWING NO. XXXX-00	REV. 0
DATE: 1/1/06	APPROV. BY: -		

ITEM	QTY.	DESCRIPTION	WEIGHT
------	------	-------------	--------



PLAN VIEW DETAIL




CUT SECTION VIEW "E-E"

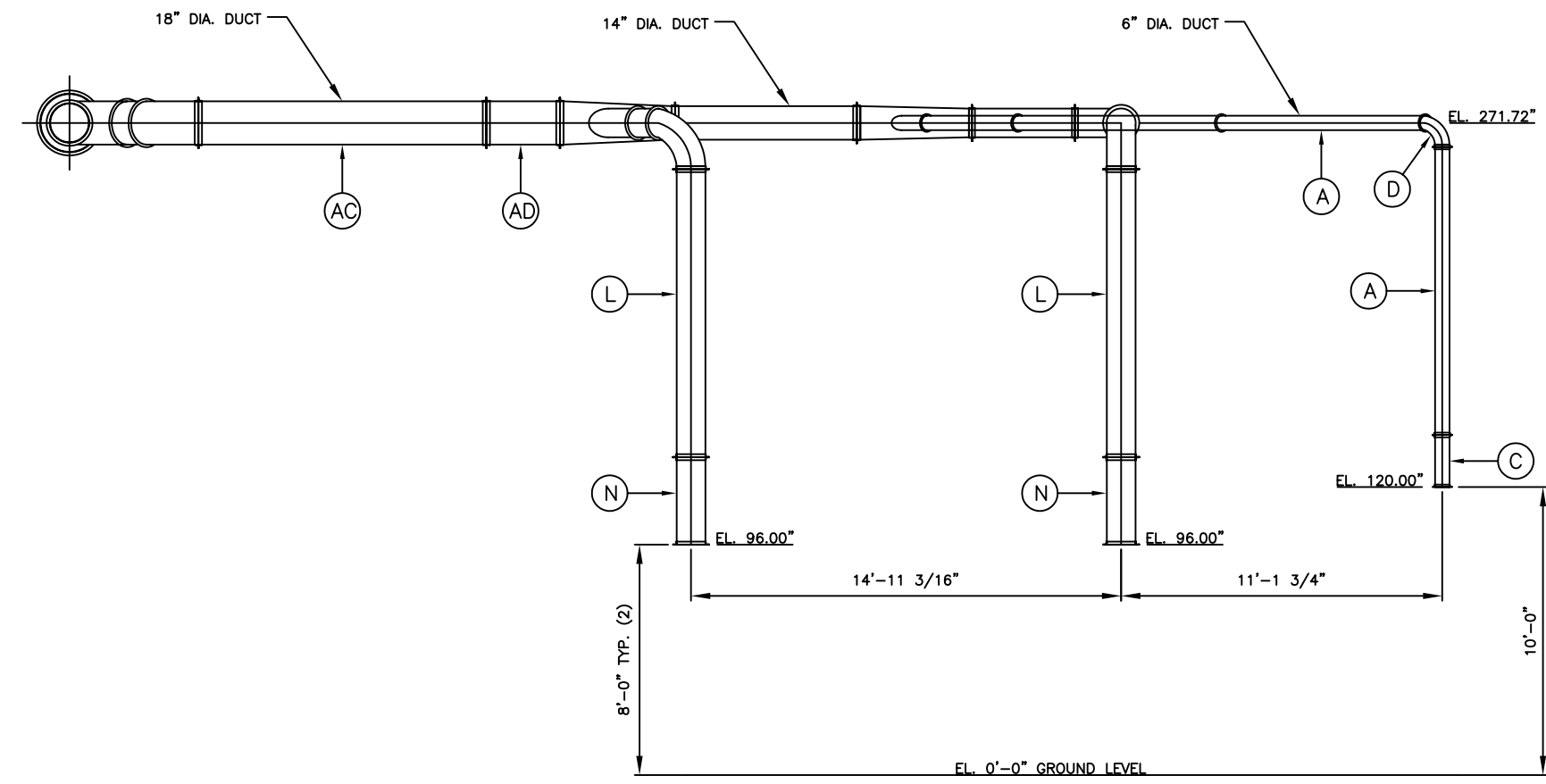
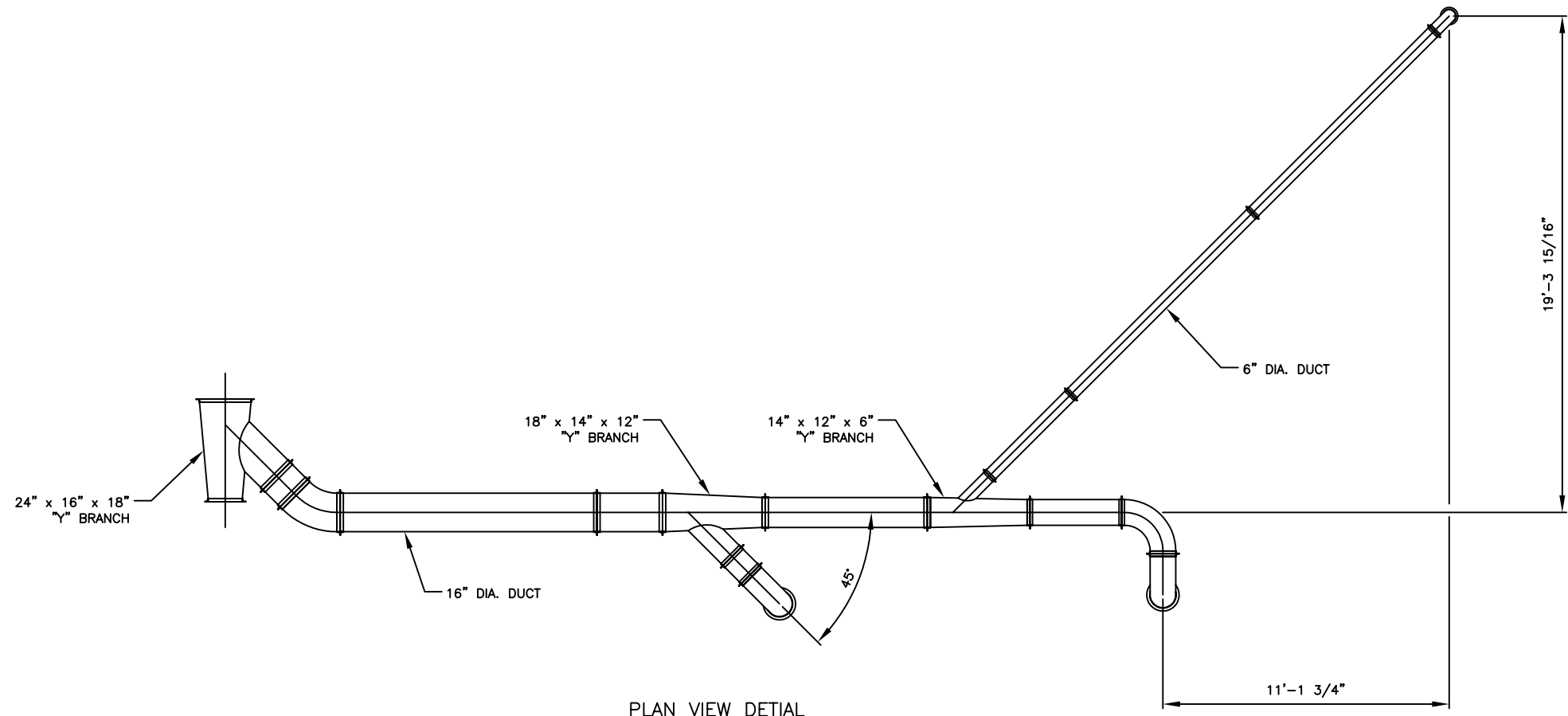
WI JOB NO. X XXXX-XX X SD NO. -

THE TECHNICAL AND MECHANICAL INFORMATION CONTAINED HEREON IS PROPRIETARY AND CONFIDENTIAL INFORMATION OF IWI, INC. COPYING, REPRODUCING OR DISCLOSING THIS INFORMATION AND/OR DRAWING WITHOUT THE PRIOR WRITTEN CONSENT OF IWI, INC. IS PROHIBITED. OHIO REVISED CODE SECTION 1333.51.

RETENTION AND/OR USE OF THIS INFORMATION ACKNOWLEDGES ACCEPTANCE OF ALL THE TERMS, CONDITIONS AND LIABILITIES THEREOF.

REV.	DATE	BY	DESCRIPTION
			
<small>1300 ROCKEFELLER ROAD WICKLIFFE, OHIO 44092 216/585-5000 FAX 216/585-2570</small>			
CUSTOMER CUSTOMER NAME CUSTOMER ADDRESS CITY, STATE, ZIP CODE			
TITLE PLAN/ELEVATION CUT SECTION DETAIL "E-E"			
SCALE: -	DRAWN BY: IWI INC.	DRAWING NO. XXXX-09	REV. 0
DATE: 1/1/06	APPROV. BY: -		


ITEM	QTY.	DESCRIPTION	WEIGHT
------	------	-------------	--------



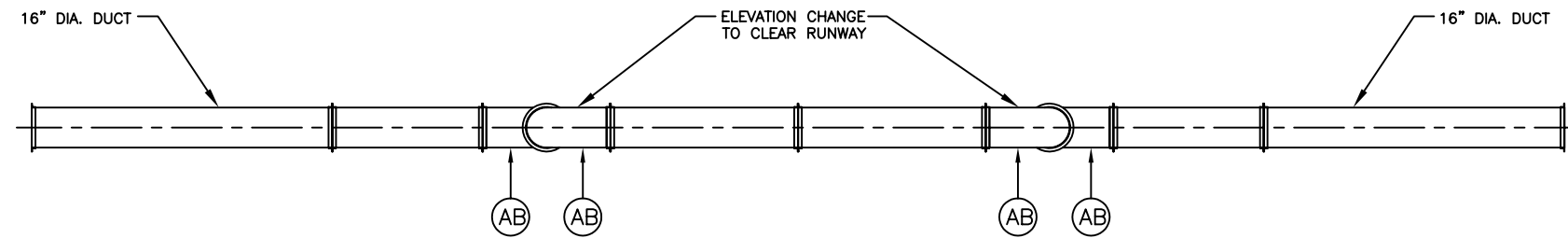
WI JOB NO. X XXXX-XX X SD NO. -

THE TECHNICAL AND MECHANICAL INFORMATION CONTAINED HEREON IS PROPRIETARY AND CONFIDENTIAL INFORMATION OF IWI, INC. COPYING, REPRODUCING OR DISCLOSING THIS INFORMATION AND/OR DRAWING WITHOUT THE PRIOR WRITTEN CONSENT OF IWI, INC. IS PROHIBITED. OHIO REVISED CODE SECTION 1333.51.

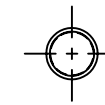
RETENTION AND/OR USE OF THIS INFORMATION ACKNOWLEDGES ACCEPTANCE OF ALL THE TERMS, CONDITIONS AND LIABILITIES THEREOF.

REV.	DATE	BY	DESCRIPTION
			
<small>1300 ROCKEFELLER ROAD WICKLIFFE, OHIO 44092 216/585-5800 FAX 216/585-2570</small>			<small>TORRY/DAY BAFFMAN YALE, HOUSTON AMERICAN MONORAIL</small>
CUSTOMER			CUSTOMER NAME CUSTOMER ADDRESS CITY, STATE, ZIP CODE
TITLE PLAN/ELEVATION CUT SECTION DETAIL "D-D"			
SCALE: -	DRAWN BY: IWI INC.	DRAWING NO. XXXX-08	REV. 0
DATE: 1/1/06	APPROV. BY: -		

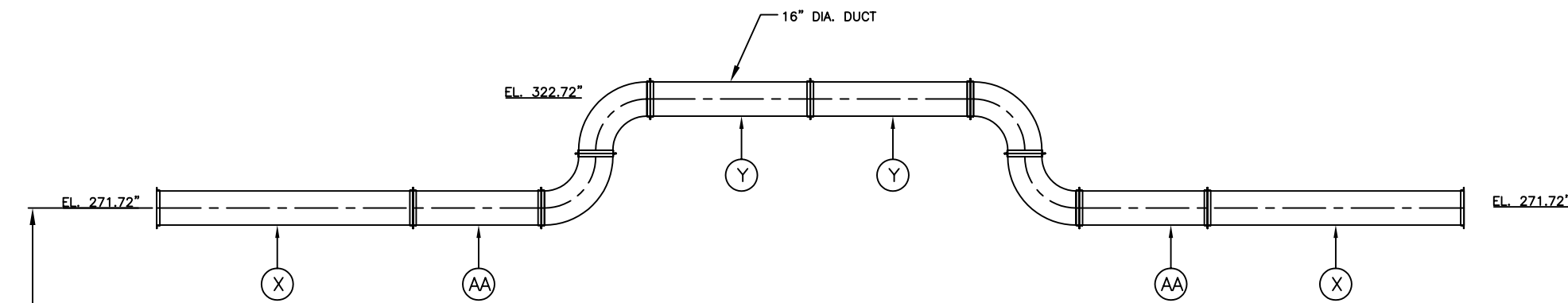
ITEM	QTY.	DESCRIPTION	WEIGHT
------	------	-------------	--------



PLAN VIEW DETAIL



SECTION VIEW



CUT SECTION VIEW "C-C"


22'-7 3/4"

EL. 0'-0" GROUND LEVEL

WI JOB NO. X XXX-XX X SD NO. -

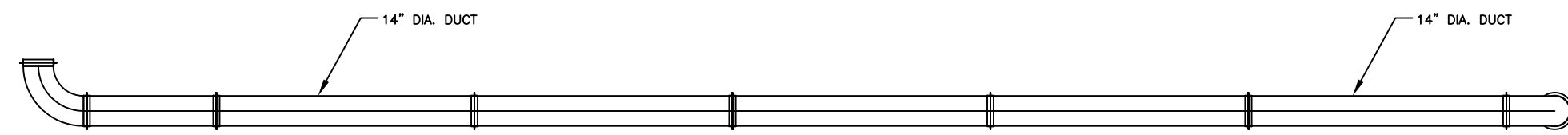
THE TECHNICAL AND MECHANICAL INFORMATION CONTAINED HEREON IS PROPRIETARY AND CONFIDENTIAL INFORMATION OF IWI, INC. COPYING, REPRODUCING OR DISCLOSING THIS INFORMATION AND/OR DRAWING WITHOUT THE PRIOR WRITTEN CONSENT OF IWI, INC. IS PROHIBITED. OHIO REVISED CODE SECTION 1333.51.

RETENTION AND/OR USE OF THIS INFORMATION ACKNOWLEDGES ACCEPTANCE OF ALL THE TERMS, CONDITIONS AND LIABILITIES THEREOF.

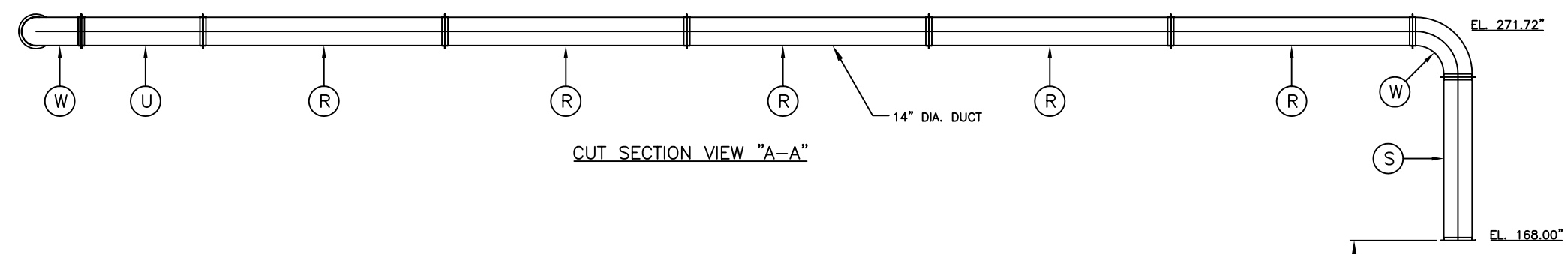
REV.	DATE	BY	DESCRIPTION
			
<small>1300 ROCKEFELLER ROAD WICKLIFFE, OHIO 44092 216/585-5800 FAX 216/585-2570</small>			
CUSTOMER CUSTOMER NAME CUSTOMER ADDRESS CITY, STATE, ZIP CODE			
TITLE PLAN/ELEVATION CUT SECTION DETAIL "C-C"			
SCALE: -	DATE: 1/1/06	DRAWN BY: IWI INC. APPROV. BY: -	DRAWING NO. XXXX-07 REV. 0

TORT/DAY
MAYFRAN
YALE, HOUST
AMERICAN MONORAIL

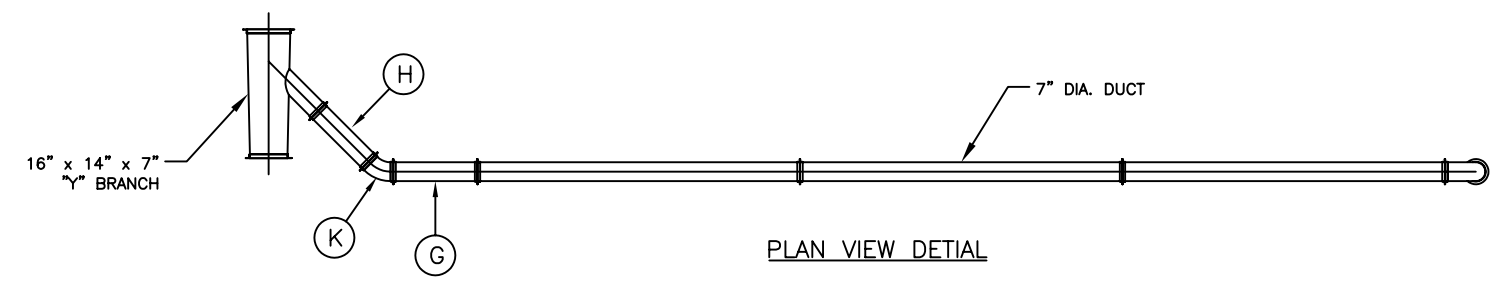
ITEM	QTY.	DESCRIPTION	WEIGHT
------	------	-------------	--------



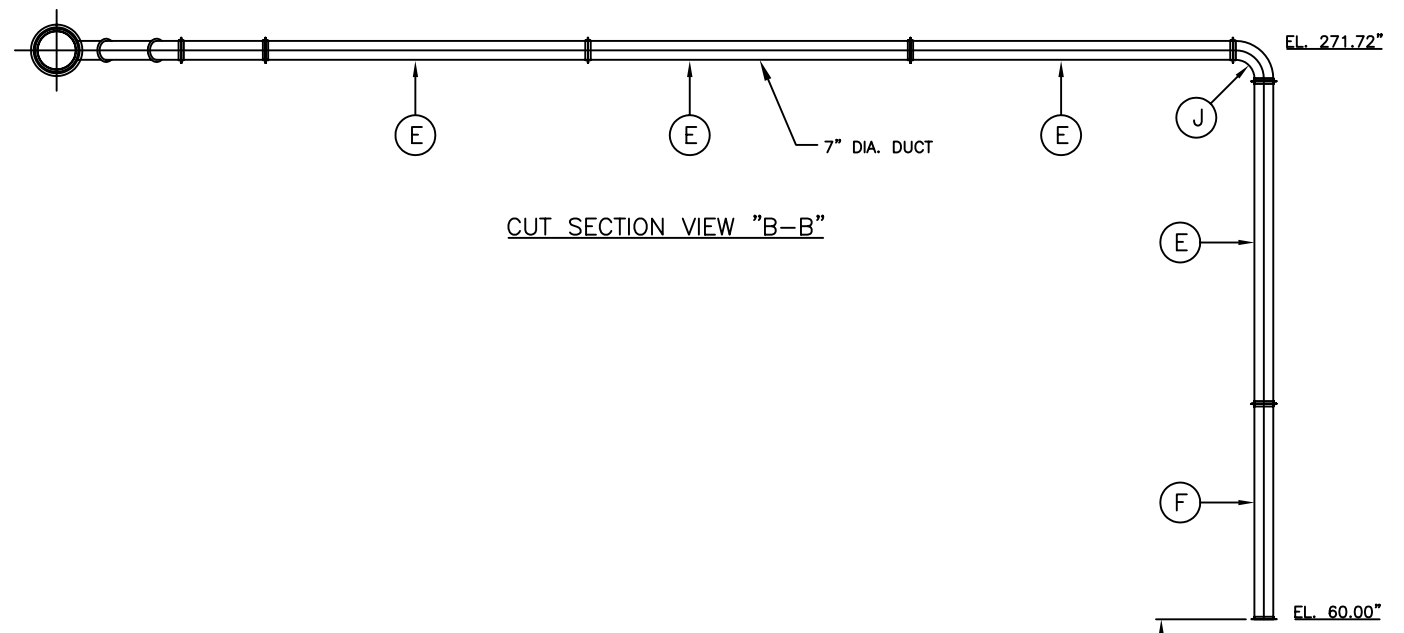
PLAN VIEW DETAIL



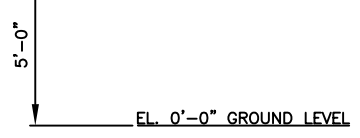
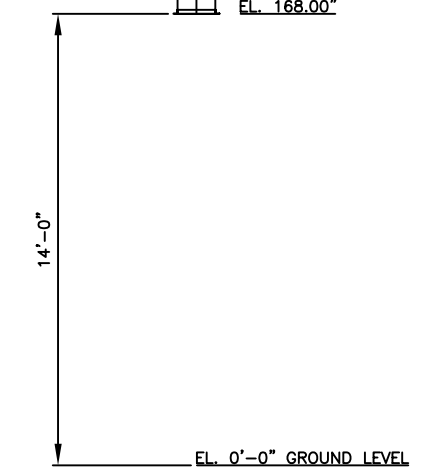
CUT SECTION VIEW "A-A"



PLAN VIEW DETAIL




CUT SECTION VIEW "B-B"



WI JOB NO. X XXXX-XX X SD NO. -

THE TECHNICAL AND MECHANICAL INFORMATION CONTAINED HEREON IS PROPRIETARY AND CONFIDENTIAL INFORMATION OF IWI, INC. COPYING, REPRODUCING OR DISCLOSING THIS INFORMATION AND/OR DRAWING WITHOUT THE PRIOR WRITTEN CONSENT OF IWI, INC. IS PROHIBITED. OHIO REVISED CODE SECTION 1333.51.

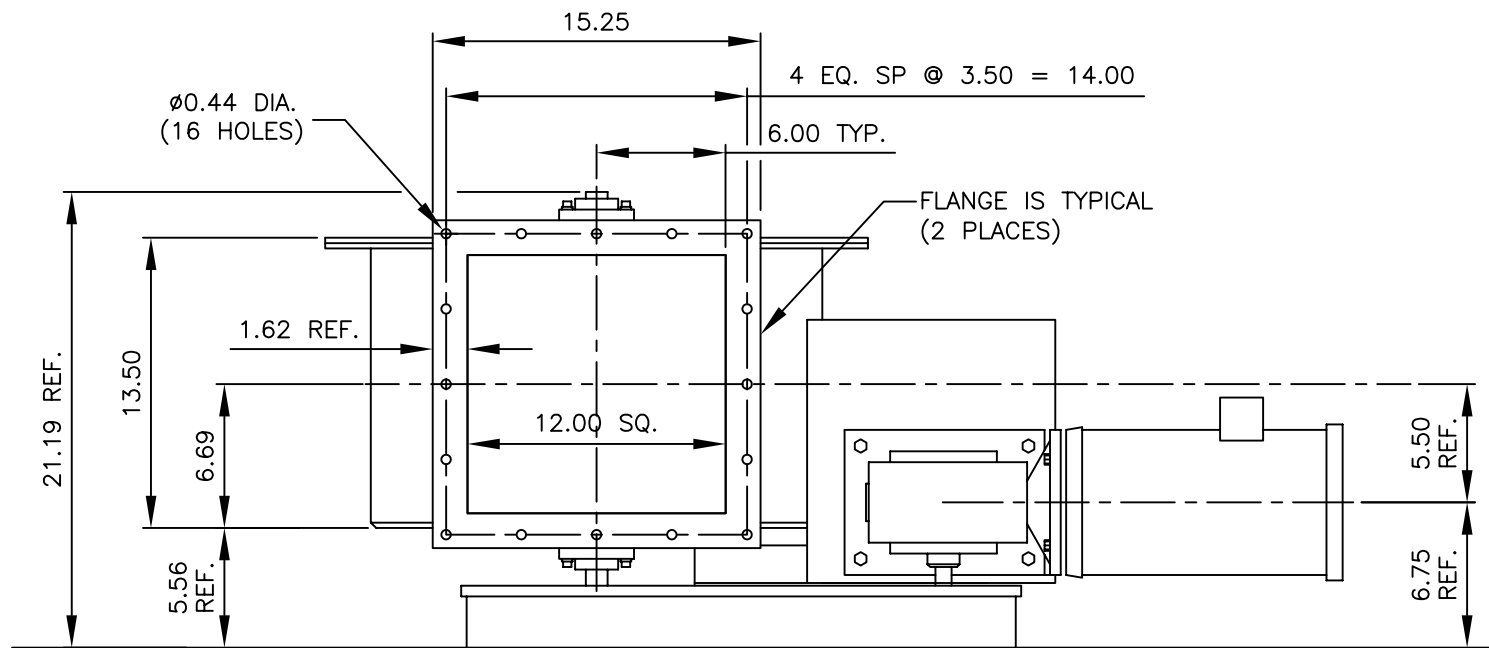
RETENTION AND/OR USE OF THIS INFORMATION ACKNOWLEDGES ACCEPTANCE OF ALL THE TERMS, CONDITIONS AND LIABILITIES THEREOF.

REV.	DATE	BY	DESCRIPTION
			
CUSTOMER			CUSTOMER NAME CUSTOMER ADDRESS CITY, STATE, ZIP CODE
TITLE PLAN/ELEVATION CUT SECTION DETAIL "A-A" & "B-B"			
SCALE: -	DRAWN BY: IWI INC.	DRAWING NO. XXXX-06	REV. 0
DATE: 1/1/06	APPROV. BY: -		

1300 ROCKEFELLER ROAD
WICKLIFFE, OHIO 44092
216/585-5800
FAX 216/585-2570

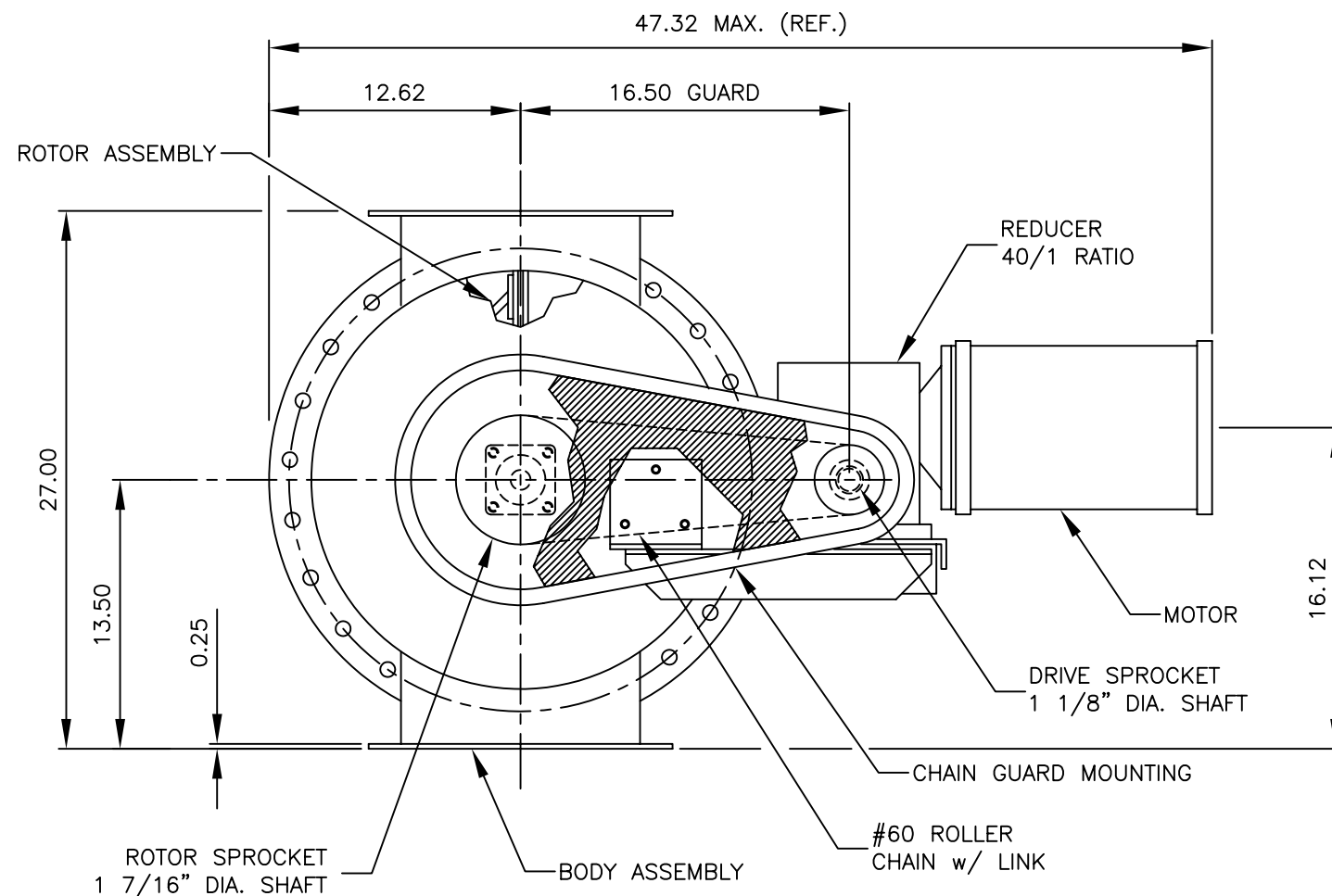
TORRY/DAY
BAVFRAN
YALE, HOBBS
AMERICAN MONORAIL

ITEM	QTY.	DESCRIPTION	WEIGHT
------	------	-------------	--------



ELEVATION VIEW DETAIL
SCALE: 3"=1'-0"

CHAIN GUARD ASSY. (REF.)



SIDE VIEW DETAIL
SCALE: 3"=1'-0"

MODEL 12AN VALVE SPECIFICATIONS

VALVE RPM	22
VALVE CAPACITY	2.46 CUBIC FT./REVOLUTION
BODY ASSEMBLY (MILD STEEL)	12AN w/DRIVE MOUNTING
ROTOR ASSEMBLY (MILD STEEL)	STANDARD SHAFT WITH BLACK NEOPRENE WIPERS
MOTOR 3/4 H.P.	1725 RPM.
	208/230/460/60/3 (TEFC) 56C FRAME
	5/8" SHAFT
GEAR REDUCER	40:1 RATIO
	OUTPUT 44 RPM
ROTOR SPROCKET (STEEL SAE 1018)	1-7/16" DIA. BORE, #60
DRIVE SPROCKET (STEEL SAE 1018)	16 TOOTH 3/4" PITCH
CHAIN #60 ROLLER	1-1/8" DIA. BORE, #60
	16 TOOTH 3/4" PITCH
	74 PITCHES
	w/CONNECTING LINK
STANDARD FINISH	BLUE
SHIPPING WEIGHT	380 LBS (APPROX.)

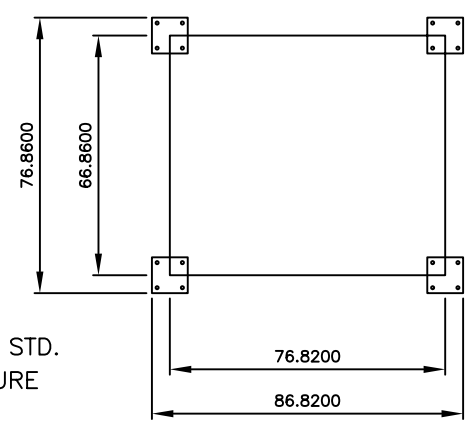
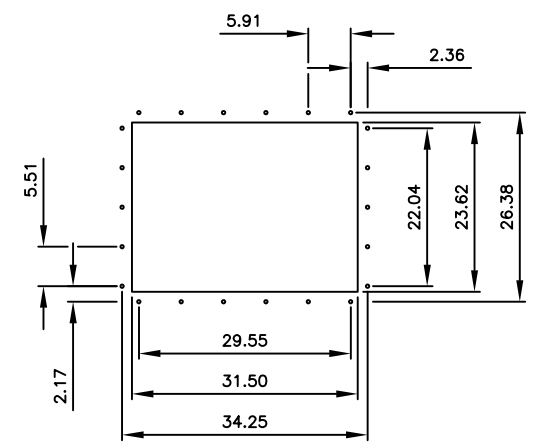
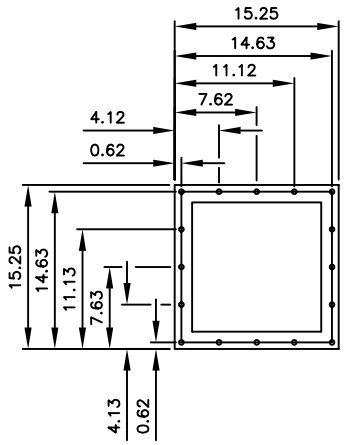
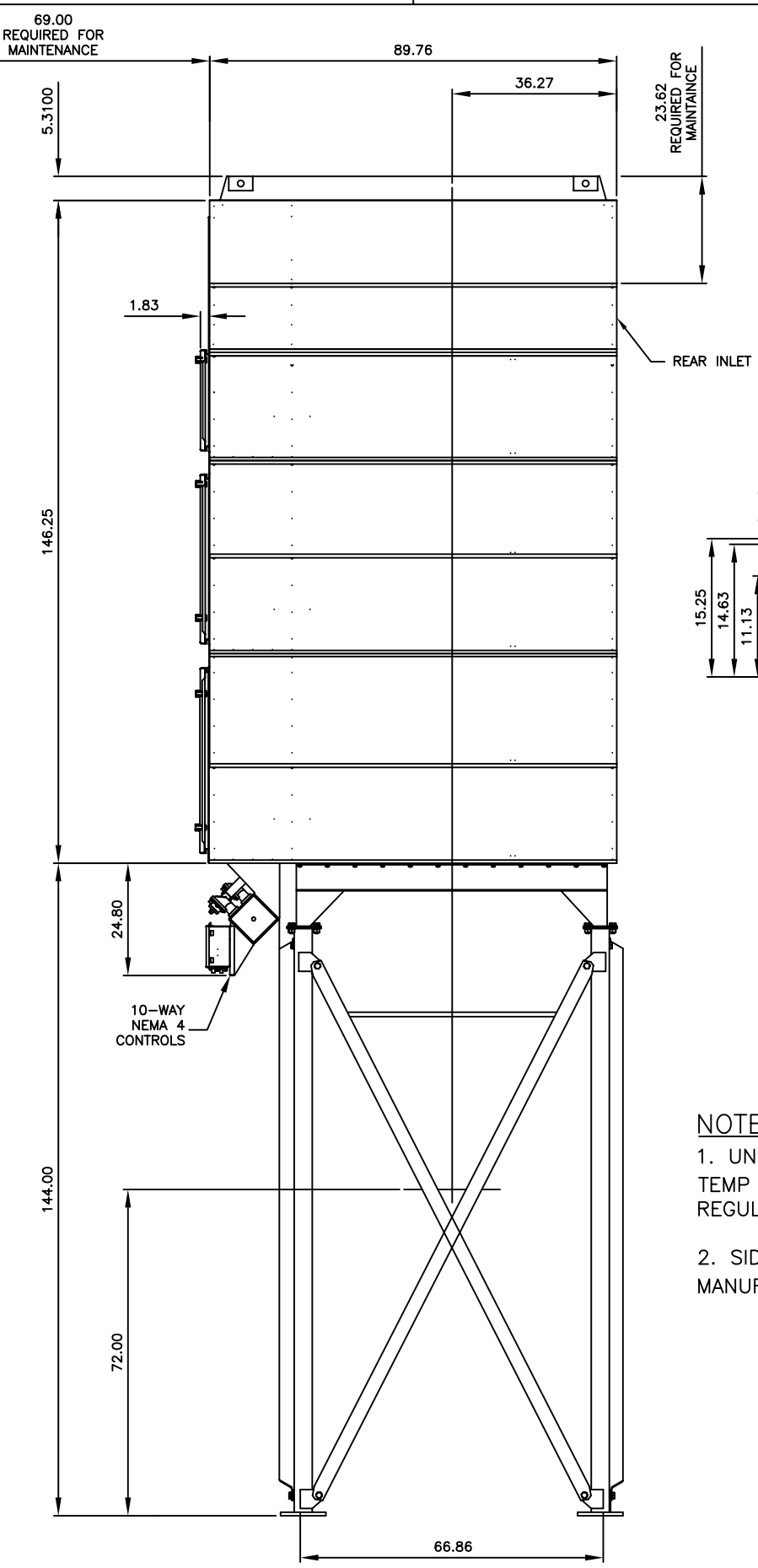
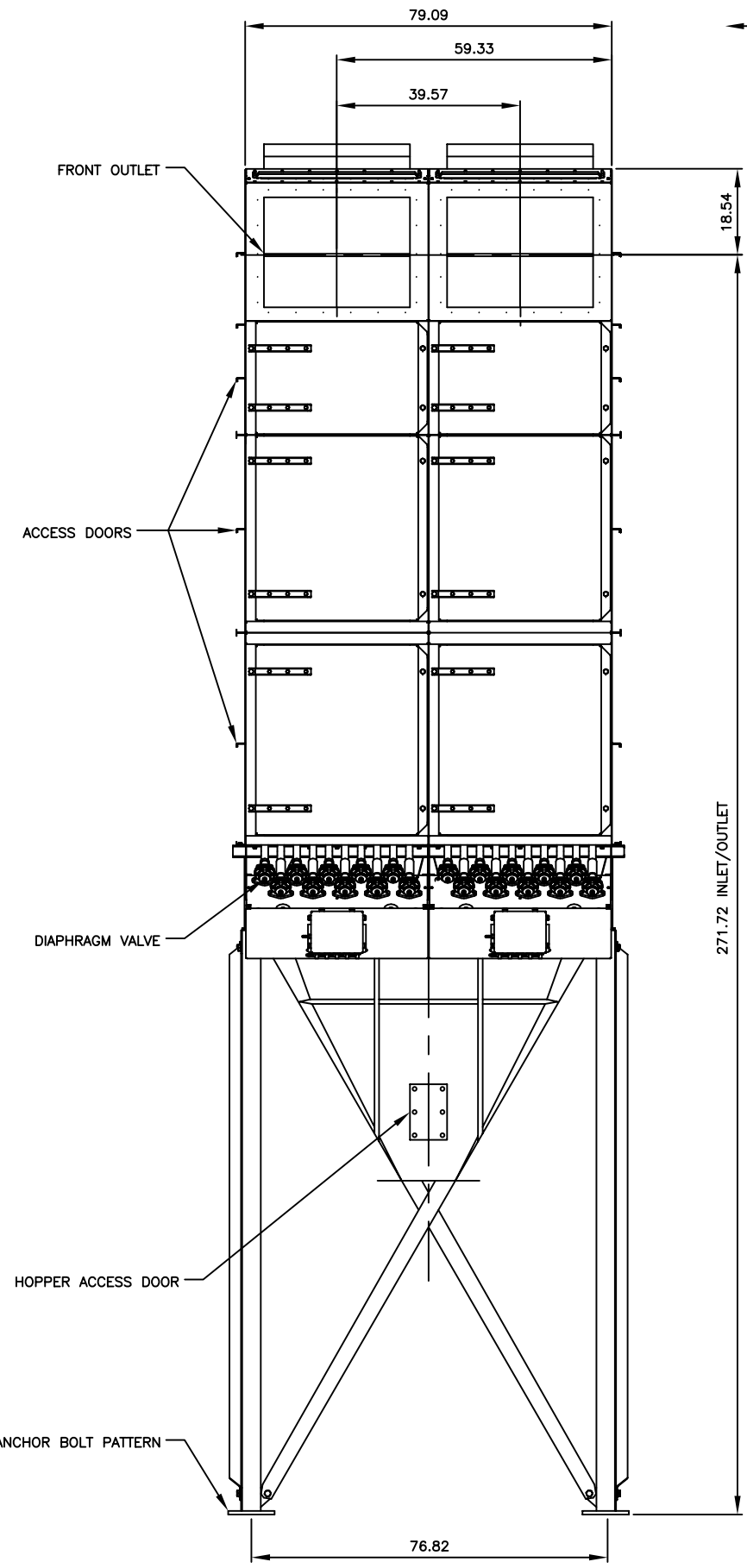
IWI JOB NO. X XXXX-XX X SD NO. -
 THE TECHNICAL AND MECHANICAL INFORMATION CONTAINED HEREON IS PROPRIETARY AND CONFIDENTIAL INFORMATION OF IWI, INC. COPYING, REPRODUCING OR DISCLOSING THIS INFORMATION AND/OR DRAWING WITHOUT THE PRIOR WRITTEN CONSENT OF IWI, INC. IS PROHIBITED. OHIO REVISED CODE SECTION 1333.51.
 RETENTION AND/OR USE OF THIS INFORMATION ACKNOWLEDGES ACCEPTANCE OF ALL THE TERMS, CONDITIONS AND LIABILITIES THEREOF.

REV.	DATE	BY	DESCRIPTION
 <small>1300 ROCKEFELLER ROAD WICKLIFFE, OHIO 44092 216/585-5800 FAX 216/585-2570</small>			
CUSTOMER			CUSTOMER NAME CUSTOMER ADDRESS CITY, STATE, ZIP CODE
TITLE ROTARY VALVE DETAIL (MODEL 2/5/15)			
SCALE: -	DRAWN BY: IWI INC.	DRAWING NO. XXXX-05	REV. 0
DATE: 1/1/06	APPROV. BY: -		

ITEM	QTY.	DESCRIPTION	WEIGHT
------	------	-------------	--------

SPECIFICATIONS FOR MODEL 2/5/15

NO. OF FILTER BAGS _____ 100 INSERTS
 FILTER AREA _____ 1,615 FT
 FILTER MATERIAL _____ DURA-LIFE POLYESTER
 FINISH _____ BLUE
 APPROX. SHIP WEIGHT _____ 6700 LBS.



NOTES:

- UNIT PROVIDED W/MILD STEEL SEAL FRAMES, STD. TEMP SEALS, AND MOISTURE SEPARATOR/PRESSURE REGULATOR ASSEMBLY.
- SIDES, BACK, TOP AND CLEAN AIR BASE PLATE TO BE MANUFACTURED FROM A MINIMUM OF 12 GAUGE MATERIAL.

WI JOB NO. X XXXX-XX X SD NO. -

THE TECHNICAL AND MECHANICAL INFORMATION CONTAINED HEREON IS PROPRIETARY AND CONFIDENTIAL INFORMATION OF IWI, INC. COPYING, REPRODUCING OR DISCLOSING THIS INFORMATION AND/OR DRAWING WITHOUT THE PRIOR WRITTEN CONSENT OF IWI, INC. IS PROHIBITED. OHIO REVISED CODE SECTION 1333.51.

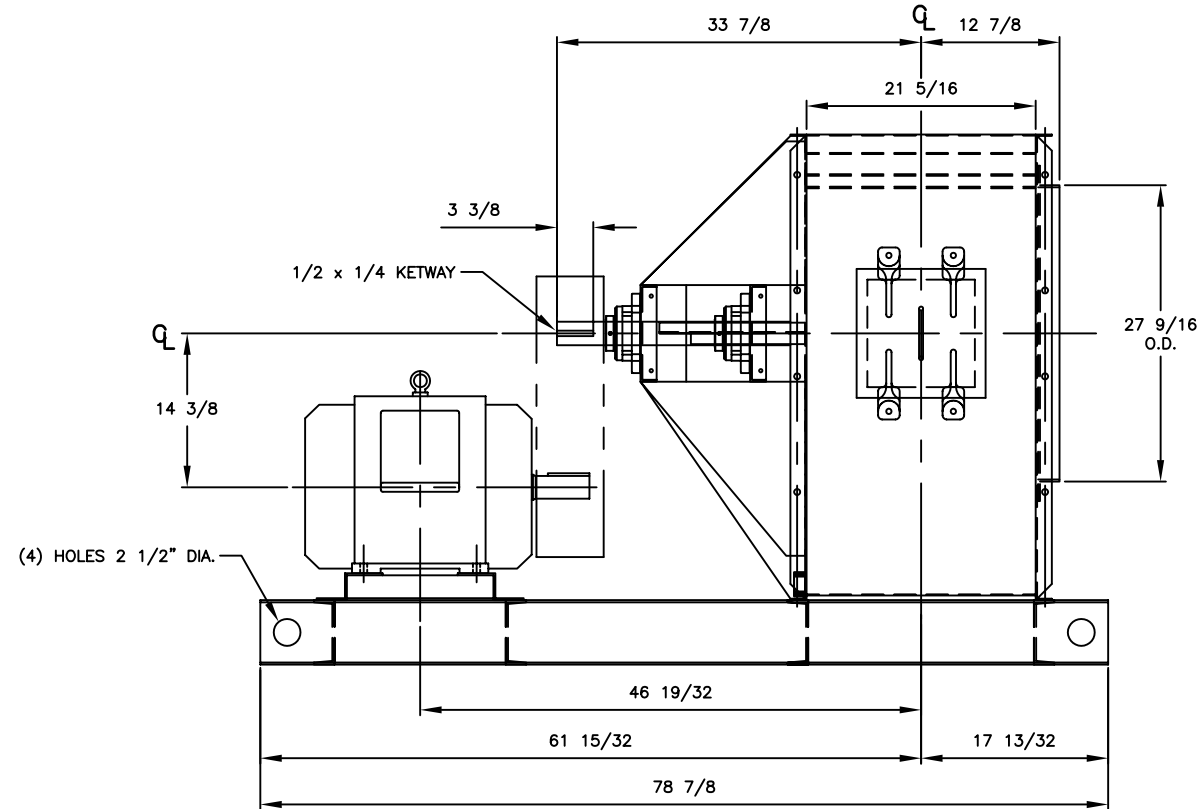
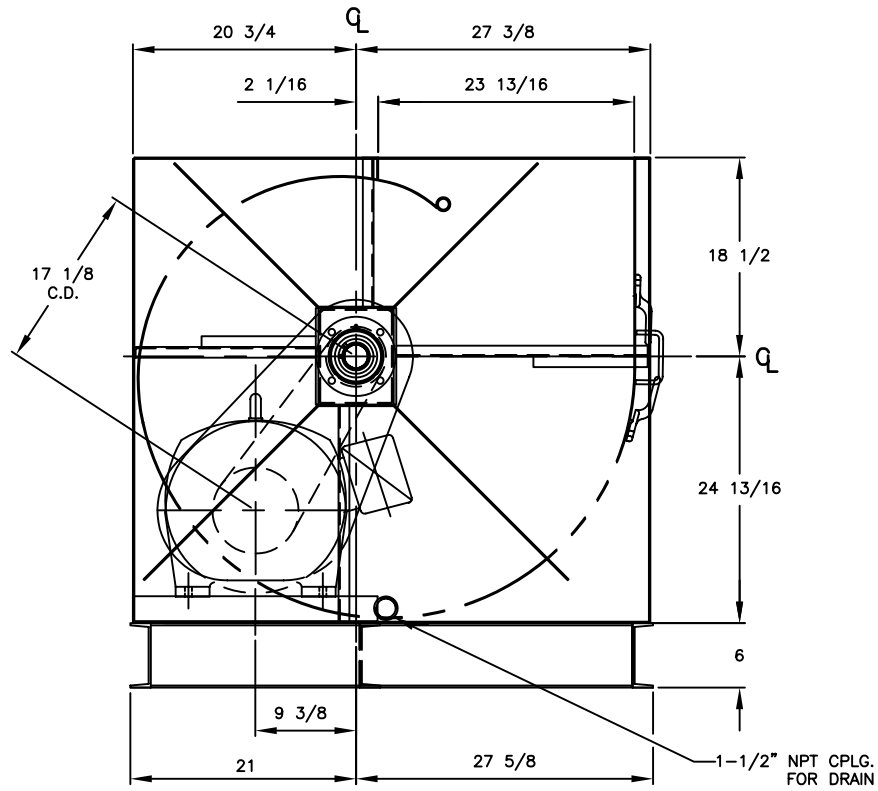
RETENTION AND/OR USE OF THIS INFORMATION ACKNOWLEDGES ACCEPTANCE OF ALL THE TERMS, CONDITIONS AND LIABILITIES THEREOF.

REV.	DATE	BY	DESCRIPTION
CUSTOMER			CUSTOMER NAME CUSTOMER ADDRESS CITY, STATE, ZIP CODE
TITLE TORIT DETAIL (MODEL 2/5/15)			
SCALE: -	DRAWN BY: IWI INC.	DRAWING NO. XXXX-04	REV. 0
DATE: 1/1/06	APPROV. BY: -		

1300 ROCKEFELLER ROAD
Wickliffe, Ohio 44092
216/585-5800
FAX 216/585-2570

TORIT/DAY
WARRAN
YALE, HOUSTON
AMERICAN MONORAIL

ITEM	QTY.	DESCRIPTION	WEIGHT
------	------	-------------	--------

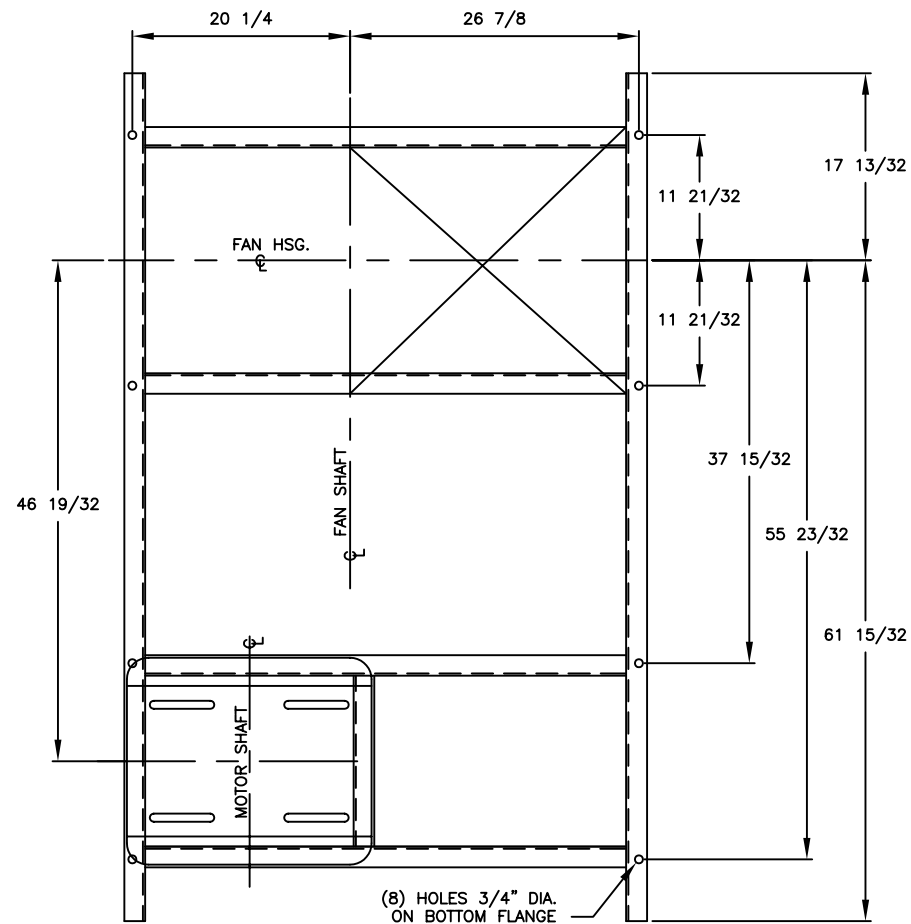


ACCESSORIES

1. SLIP INLET (SHOWN)
2. PUNCHED FLANGED OUTLET (SHOWN)
3. 10 x 10 CLAMP TYPE CLEANOUT DOOR. DOOR IS @ 3:00 O'CLOCK AS VIEWED FROM DRIVE SIDE
4. DRAIN - 1 1/2 HALF COUPLING (SHOWN)
5. BELT GAURD PAINTED YELLOW
6. OUTLET DAMPER, PARALEL BLADE, MANUAL OPERATION. MOUNTED BY OTHERS. 268674-81

NOTES

- A. MOTOR FURNISHED AND MOUNTED BY CBC FOR DETAILS SEE TITLE BLOCK
- B. CONSTANT SPEED V-BELT DRIVE CONSISTING OF:
 MOTOR SHEAVE: 3B5V80 WITH 2 1/8 B BUSHING
 FAN SHEAVE: 3B5V56 WITH 2 3/16 B BUSHING
 BELT: (3) 5VX560
 CENTER DISTANCE: 17.12 S.F.: 1.3
 FURNISHED AND MOUNTED BY CBC



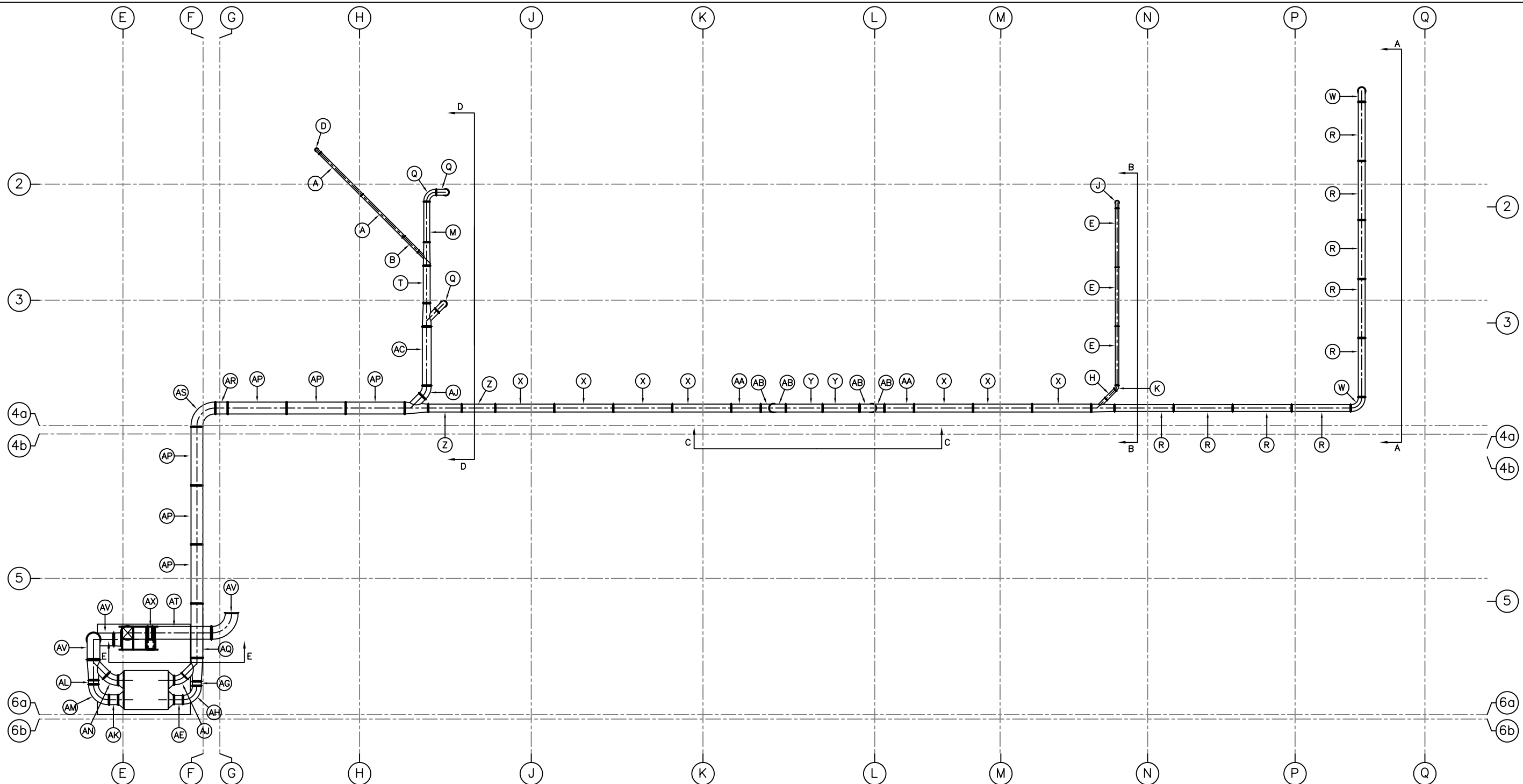
FOUNDATION PLAN

WI JOB NO. X XXXX-XX X SD NO. -

THE TECHNICAL AND MECHANICAL INFORMATION CONTAINED HEREON IS PROPRIETARY AND CONFIDENTIAL INFORMATION OF IWI, INC. COPYING, REPRODUCING OR DISCLOSING THIS INFORMATION AND/OR DRAWING WITHOUT THE PRIOR WRITTEN CONSENT OF IWI, INC. IS PROHIBITED. OHIO REVISED CODE SECTION 1333.51.

RETENTION AND/OR USE OF THIS INFORMATION ACKNOWLEDGES ACCEPTANCE OF ALL THE TERMS, CONDITIONS AND LIABILITIES THEREOF.

REV.	DATE	BY	DESCRIPTION
<small>1300 ROCKEFELLER ROAD WICKLIFFE, OHIO 44092 216/585-5800 FAX 216/585-2570</small>			<small>TORT/DAY WARRANTY YALE, HOUSTON AMERICAN MONORAIL</small>
CUSTOMER			CUSTOMER NAME CUSTOMER ADDRESS CITY, STATE, ZIP CODE
TITLE (D/36A) FAN ASSEMBLY CLASS III, ARRANGEMENT 9H MOTOR POS. Y, CCW ROTATION, UB DISCHARGE, SIZE 24-1/2			
SCALE: -	DATE: 1/1/06	DRAWN BY: IWI INC. APPROV. BY: -	DRAWING NO. XXXX-03 REV. 0



BILL OF MATERIAL FOR (CUSTOMER NAME)				
ITEM	QTY	DESCRIPTION	LENGTH/RADIUS	STATUS
A	3	6" DIA. DUCT	10'-0"	New
B	1	6" DIA. DUCT	3'-6 3/8"	New
C	1	6" DIA. DUCT	1'-9 3/4"	New
D	1	6" DIA. 90° ELBOW	9" RADIUS	New
E	4	7" DIA. DUCT	10'-0"	New
F	1	7" DIA. DUCT	6'-8 1/4"	New
H	1	7" DIA. DUCT	2'-2 1/2"	New
J	1	7" DIA. 90° ELBOW	10 1/2" RADIUS	New
K	1	7" DIA. 45° ELBOW	10 1/2" RADIUS	New
L	2	12" DIA. DUCT	10'-0"	New
M	1	12" DIA. DUCT	6'-10 1/4"	New
N	2	12" DIA. DUCT	3'-0 1/2"	New

BILL OF MATERIAL FOR (CUSTOMER NAME)				
ITEM	QTY	DESCRIPTION	LENGTH/RADIUS	STATUS
Q	3	12" DIA. 90° ELBOW	'-6" RADIUS	New
R	9	14" DIA. DUCT	10'-0"	New
S	1	14" DIA. DUCT	6'-9 1/4"	New
T	1	14" DIA. DUCT	6'-3 3/4"	New
W	2	14" DIA. 90° ELBOW	1'-9" RADIUS	New
X	7	16" DIA. DUCT	10'-0"	New
Y	2	16" DIA. DUCT	6'-2 7/8"	New
Z	2	16" DIA. DUCT	5'-8 1/8"	New
AA	2	16" DIA. DUCT	5'-0"	New
AB	4	16" DIA. 90° ELBOW	2'-0" RADIUS	New
AC	1	18" DIA. DUCT	10'-0"	New
AE	1	18" DIA. DUCT	1'-5 3/4"	New


BILL OF MATERIAL FOR OLDCASTLE (CUSTOMER NAME)				
ITEM	QTY	DESCRIPTION	LENGTH/RADIUS	STATUS
AG	1	18" DIA. DUCT	8 5/8"	New
AH	1	18" DIA. 90° ELBOW	2'-3" RADIUS	New
AJ	2	18" DIA. 45° ELBOW	2'-3" RADIUS	New
AK	1	20" DIA. DUCT	1'-6 1/2"	New
AL	1	20" DIA. DUCT	8 1/8"	New
AM	1	20" DIA. 90° ELBOW	2'-6" RADIUS	New
AN	1	20" DIA. 45° ELBOW	2'-6" RADIUS	New
AP	6	24" DIA. DUCT	10'-0"	New
AQ	1	24" DIA. DUCT	9'-2 5/8"	New
AR	1	24" DIA. DUCT	2'-1"	New
AS	1	24" DIA. 90° ELBOW	3'-0" RADIUS	New
AT	2	26" DIA. DUCT	10'-0"	New

BILL OF MATERIAL FOR (CUSTOMER NAME)				
ITEM	QTY	DESCRIPTION	LENGTH/RADIUS	STATUS
AU	1	26" DIA. DUCT	3'-2 7/8"	New
AV	4	26" DIA. 90° ELBOW	3'-3" RADIUS	New
AW	1	26" DIA. DUCT	6'-8 3/4"	New
AX	1	26" DIA. DUCT	9 1/2"	New
AY	1	SUMMER/WINTER DAMPER	5'-0" LG.	New
AZ	1	26" DIA. 45° ELBOW	3'-3" RADIUS	New

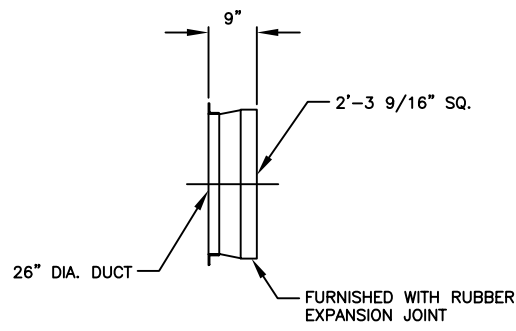
IWI JOB NO. X XXXX-XX X SD NO. -

THE TECHNICAL AND MECHANICAL INFORMATION CONTAINED HEREON IS PROPRIETARY AND CONFIDENTIAL INFORMATION OF IWI, INC. COPYING, REPRODUCING OR DISCLOSING THIS INFORMATION AND/OR DRAWING WITHOUT THE PRIOR WRITTEN CONSENT OF IWI, INC. IS PROHIBITED. OHIO REVISED CODE SECTION 1333.51.

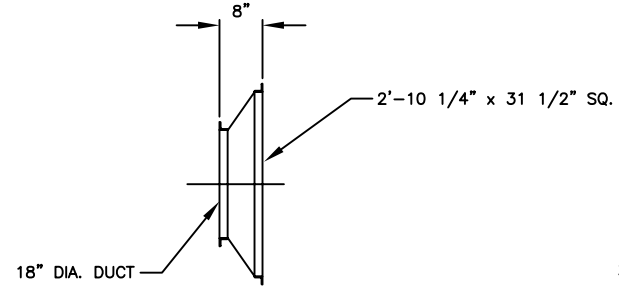
RETENTION AND/OR USE OF THIS INFORMATION ACKNOWLEDGES ACCEPTANCE OF ALL THE TERMS, CONDITIONS AND LIABILITIES THEREOF.

REV.	DATE	BY	DESCRIPTION
			
<small>1300 ROCKEFELLER ROAD WICKLIFFE, OHIO 44092 216/585-5900 FAX 216/585-2570</small>			
TORT/DAY WARRANTY YALE HOSTS AMERICAN MONORAIL			
CUSTOMER			CUSTOMER NAME CUSTOMER ADDRESS CITY, STATE, ZIP CODE
TITLE w/ BALLOONS FOR B.O.M. & SECTION CUTS			
SCALE: -	DRAWN BY: IWI INC.	DRAWING NO.	REV.
DATE: 1/1/06	APPROV. BY: -	XXXX-02	0

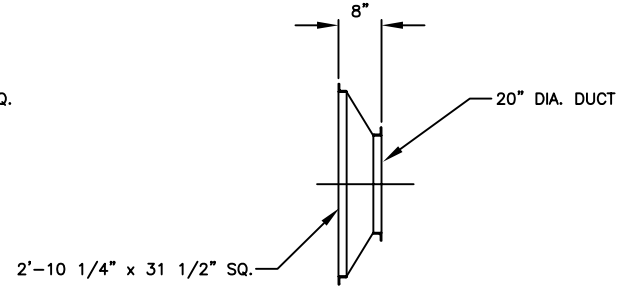
ITEM	QTY.	DESCRIPTION	WEIGHT
------	------	-------------	--------



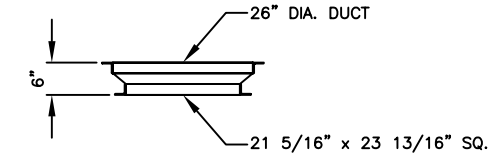
26" DIA. x 2'-3 9/16" TRANS.
FROM OUTLET TO FAN
QTY = (1)



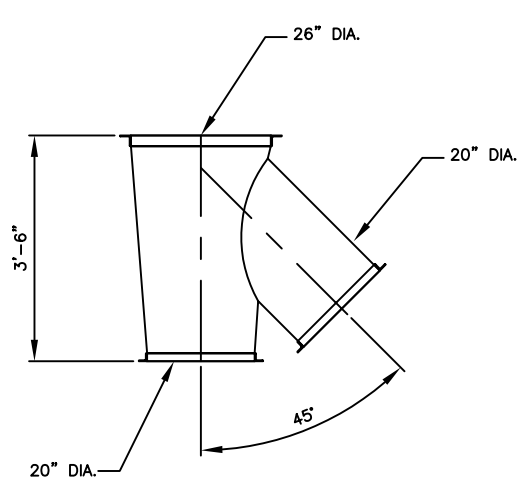
18" x 2'-10 1/4" TRANS.
FROM INLET TO DUCT
QTY = (2)



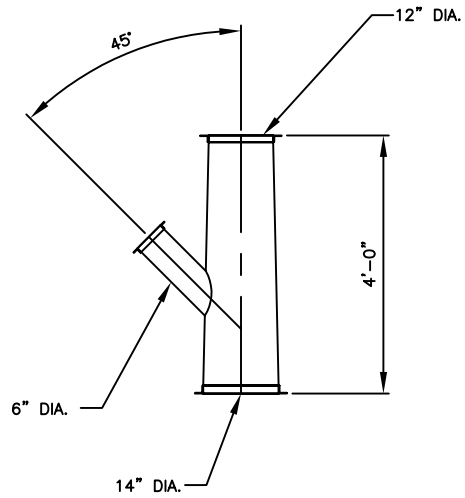
20" x 2'-10 1/4" TRANS.
FROM OUTLET TO DUCT
QTY = (2)



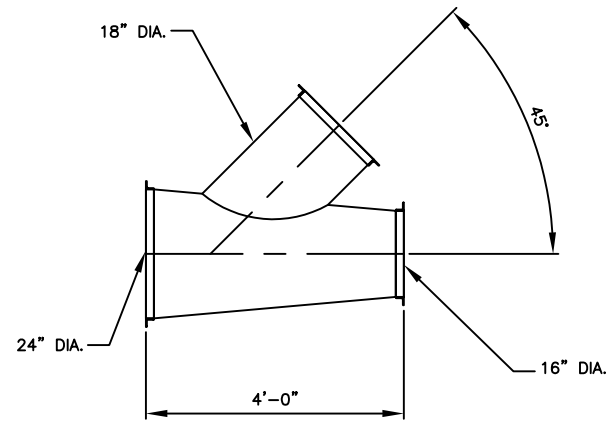
21 5/16" x 23 13/16" TRANS.
FROM FAN TO CLEAN OUTLET
QTY = (1)



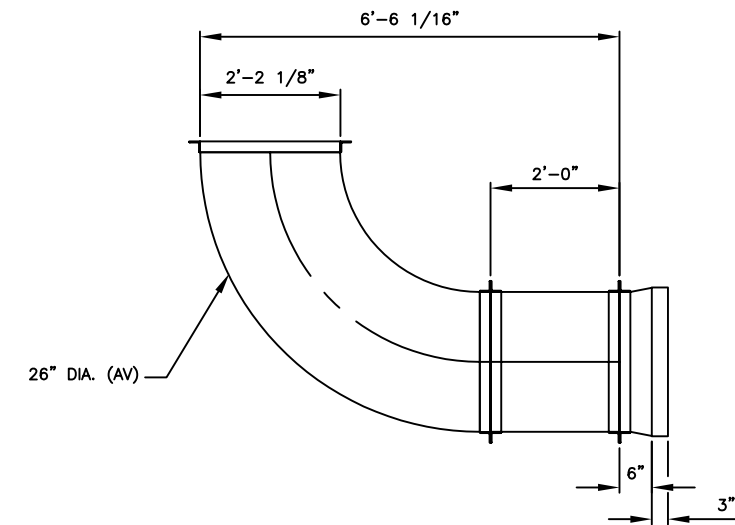
26" x 20" x 20" "Y" TRANS
QTY = (1)



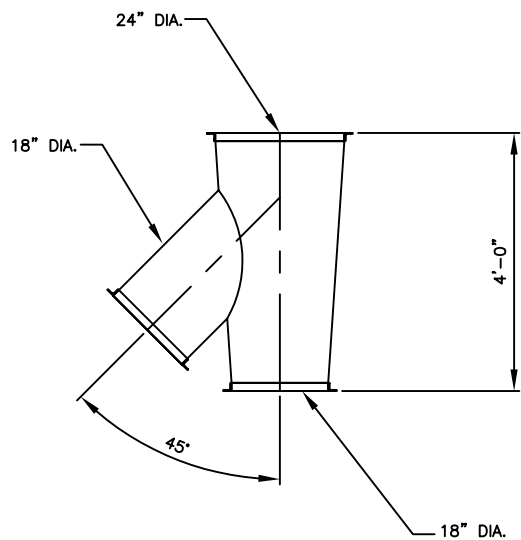
14" x 12" x 6" "Y" TRANS
QTY = (1)



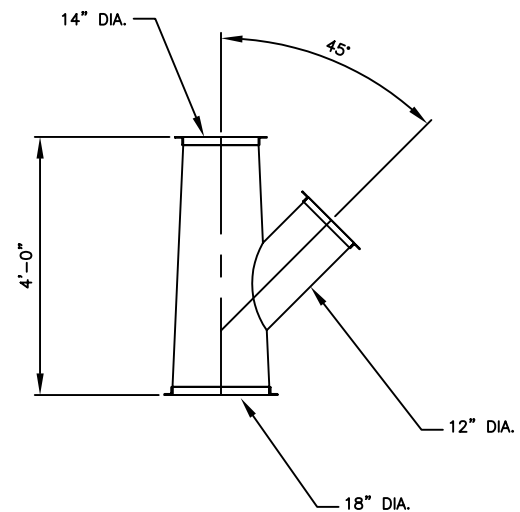
24" x 16" x 18" "Y" TRANS
QTY = (1)



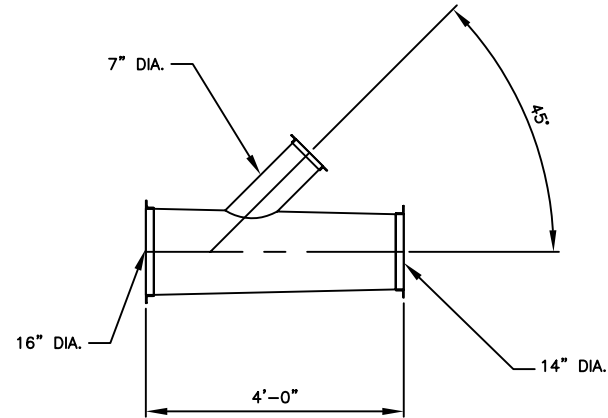
24" x 16" x 18" "Y" TRANS
QTY = (1)



24" x 18" x 18" "Y" TRANS
QTY = (1)



18" x 14" x 12" "Y" TRANS
QTY = (1)



16" x 14" x 7" "Y" TRANS
QTY = (1)

IWI JOB NO. X XXXX-XX X SD NO. -

THE TECHNICAL AND MECHANICAL INFORMATION CONTAINED HEREON IS PROPRIETARY AND CONFIDENTIAL INFORMATION OF IWI, INC. COPYING, REPRODUCING OR DISCLOSING THIS INFORMATION AND/OR DRAWING WITHOUT THE PRIOR WRITTEN CONSENT OF IWI, INC. IS PROHIBITED. OHIO REVISED CODE SECTION 1333.51.

RETENTION AND/OR USE OF THIS INFORMATION ACKNOWLEDGES ACCEPTANCE OF ALL THE TERMS, CONDITIONS AND LIABILITIES THEREOF.

REV.	DATE	BY	DESCRIPTION
<p>1300 ROCKEFELLER ROAD WICKLIFFE, OHIO 44092 216/585-5800 FAX 216/585-2570</p> <p>TORRY/DAY BAVFRAN YALE, HOBBS AMERICAN MONORAIL</p>			
CUSTOMER			CUSTOMER NAME CUSTOMER ADDRESS CITY, STATE, ZIP CODE
TITLE TRANSITION DETAILS DIMENSIONS, LENGTH AND QUANTITY			
SCALE: -	DRAWN BY: IWI INC.	DRAWING NO. XXXX-10	REV. 0
DATE: 1/1/06	APPROV. BY: -		