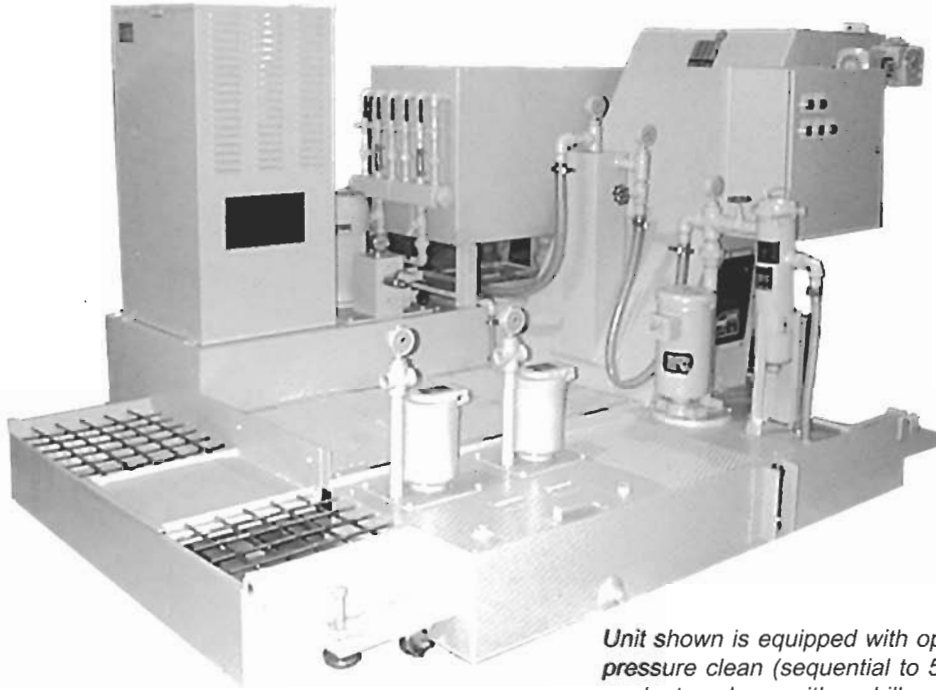


**Con** **Sep1000**<sup>TM</sup>  
A New Concept  
In Separation

*The compact, economical  
solution for dedicated  
machine tool use*



*Unit shown is equipped with optional high pressure clean (sequential to 5 micron) coolant package with a chiller unit. Entire 120 GPM system requires less than 50 sq. ft. of floor space.*

## ***The Ideal Coolant Cleaning System For Smaller Chips & Fines***

The Mayfran ConSep 1000, like its counterpart ConSep 2000®, is an advanced chip removal/cleaning system. It is specifically designed to handle smaller chips and fines. It's ideal for handling cast iron and die cast aluminum chips and fines.

### ***ConSep 1000 Standard Features:***

- Self-cleaning (backwash) permanent coolant cleaning media
- Cleans coolant to 50 micron nominal

### ***Optional High Pressure Clean Coolant Packages:***

- Name your pressure and flow requirements
- Name your coolant cleanliness levels



P.O. Box 43038  
Cleveland, OH 44143-0038  
Internet: [www.mayfran.com](http://www.mayfran.com)

Tel: (440) 461-4100  
Fax: (440) 461-0147  
E-mail: [Info@mayfran.com](mailto:Info@mayfran.com)

© Mayfran 1999

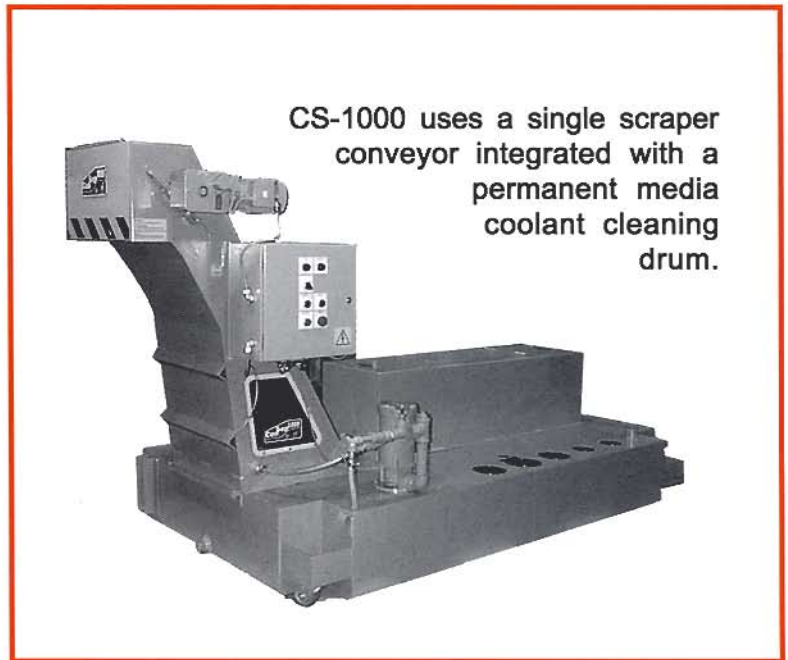


**Mayfran ConSep 1000**

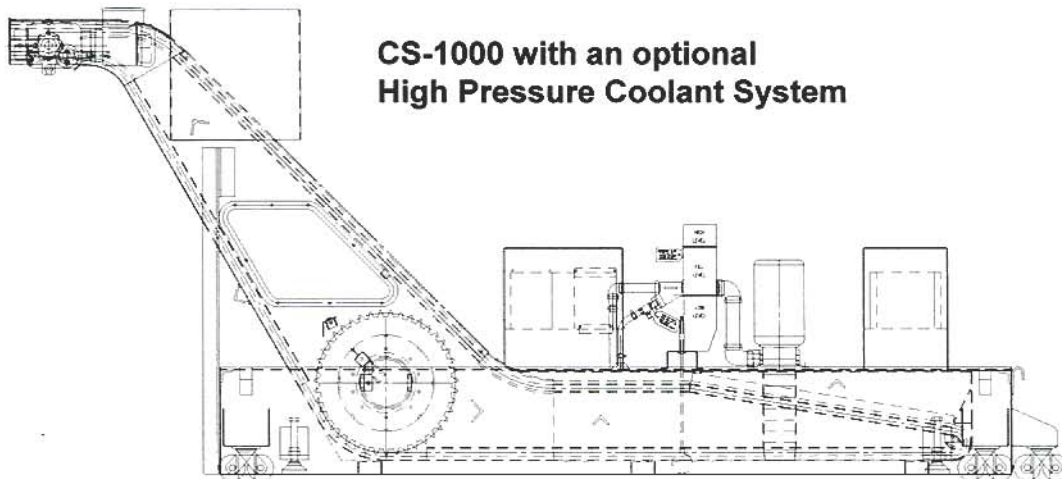
# SPECIFICATIONS

ConSep 1000 offers an economical method for removing fines and small metal chips from coolant. Compact in design, CS-1000 uses a scraper-type conveyor integrated with a self-cleaning permanent media drum. Separation is 50 micron nominal without any auxiliary filtration equipment.

The CS-1000 can be equipped with a standard high pressure clean coolant package. Optional super clean filtration is available for specific machine tool clean coolant needs.



CS-1000 uses a single scraper conveyor integrated with a permanent media coolant cleaning drum.



CS-1000 with an optional High Pressure Coolant System

## Mayfran Plants and Sales Offices Worldwide

Mayfran International (USA) P.O. Box 43038 • 6650 Beta Drive Cleveland OH 44143 Tel: 440/461-4100 Fax: 440/461-5565

Mayfran International B.V. (Europe) PB 31032, Edisonstraat 7•NL6370 AA Landgraaf, Netherlands Tel:31-45-5329292 Fax:31-45-5329300

### Other Plants and Sales Offices:

Mayfran Canada Limited, 5955 Airport Road, Suite 300, Mississauga, Ontario L4V1 R9, Tel: 905/678-0018, Fax: 905/678-0019

Mayfran UK Ltd., Orchard Court V, Binley Business Park, Harry Weston Rd., Coventry, CV3 2TQ, Tel: 44-24-7645-9000, Fax: 44-24-7645-9690

Mayfran GmbH, Roermonder Str. 594, 52072 Aachen, Germany, Tel: 49-241-938720, Fax: 49-241-175080

Mayfran France, Centre D'Affaires, 93153 Le Blanc Mesnil, P.O. Box 45 Paris-Nord France, Tel: 33-14-8657800, Fax: 33-14-8677629

Tsubakimoto Mayfran Inc., 5001, Ohno, Tsuchiyama-Cho, Kouga-Gun, Shiga 528-02, Japan, Tel: 81-7-486-7-1001, Fax: 81-7-486-7-1097

Miven Mayfran, P.O.Box 59 Karwar Rd., Hubli-580024, India, Tel: 91-836-303246, Fax: 91-836-303265

Korea Mayfran, 72-1, Onsoo-dong, Kuro-Ku Seoul, 152-120 Korea, Tel: 82-2-611-5886, Fax: 82-2-684-9166