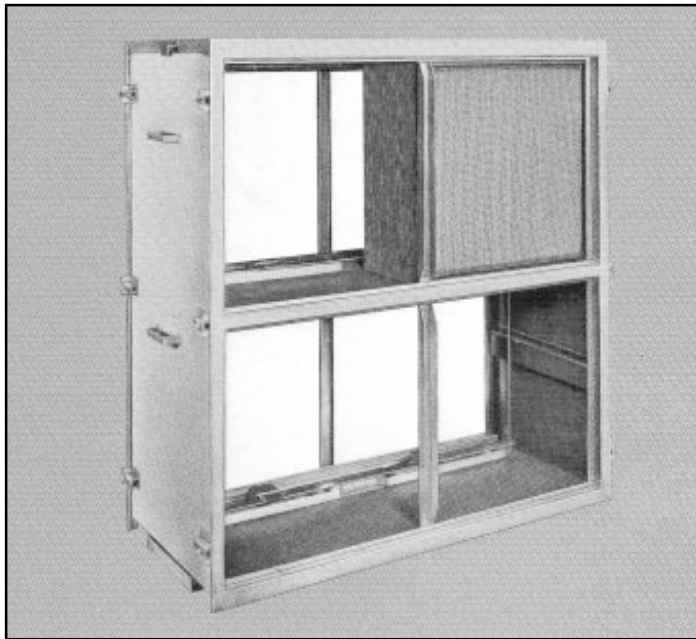


# Ultra-Lok™ Safety Filter Retaining System

The Torit Ultra-Lok safety filter retaining system provides a sturdy housing for HEPA safety filters and dust collector monitoring systems. When the dust collector is operating properly, the safety filter collects a minimal amount of dust and operates for longer periods without requiring a changeout. The Ultra-Lok's modular construction is specially designed to integrate with any dust collection system.

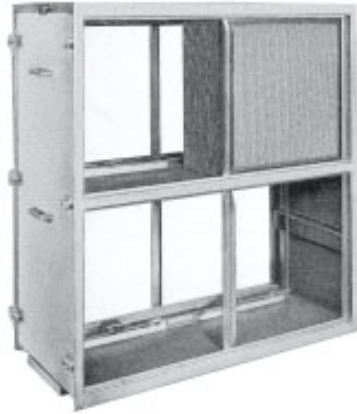


*2 x 2 Ultra-Lok housing with a prefilter in the upper-right corner.  
Typically installed on the exhaust side of the fan.*

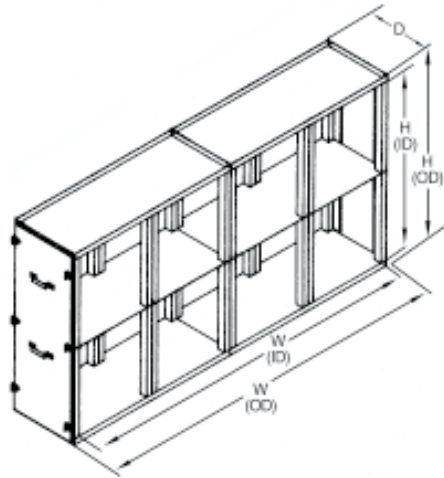
## Benefits

- Increased protection
  - Provides backup filtration in the event of dust collector leakage
- Performance monitoring capabilities
  - Can be equipped with a pressure gauge to identify service requirements
- Easy changeout of filters
  - Accessible from both sides
  - No tools required
- HEPA Filters
  - High efficiency - 99.97% on 0.3 µm dust particles
- Filter configuration
  - Holds 1, 2, 3, 4, 6, 8, 9 or 12 HEPA filters and Air-O-J™ pre-filters
- Easy to install
- Compact design
  - Minimizes floor space requirements
- Durable construction
  - 14 gauge carbon or stainless steel resists rust and corrosion
- Economical
  - Filtered air can be returned to the building

# Torit Ultra-Lok Safety Filter Retaining System



**2 x 2 Ultra-Lok Housing**



**2 x 4 Ultra-Lok Housing**

The unit is designed to handle up to 3 inches of positive or negative static pressure.

Ultra-Lok							
Modules		Capacity (cfm)	Dimensions (inches)				
			Height		Width		Depth
High	Wide		ID	OD	ID	OD	
1	1	2,000	24.19	28.19	23.86	26.62	23
1	2	4,000	24.19	28.19	48.05	50.81	23
1	3	6,000	24.19	28.19	72.15	74.91	23
1	4	8,000	24.19	28.19	96.24	99.00	23
2	1	4,000	49.50	53.50	23.86	26.62	23
2	2	8,000	49.50	53.50	48.05	50.81	23
2	3	12,000	49.50	53.50	72.15	74.91	23
2	4	16,000	49.50	53.50	96.24	99.00	23
3	1	6,000	74.81	78.81	23.86	26.62	23
3	2	12,000	74.81	78.81	48.05	50.81	23
3	3	18,000	74.81	78.81	72.15	74.91	23
3	4	24,000	74.81	78.81	96.24	99.00	23

All units include housing, HEPA filters and Air-O-J™ pre-filters. • Bottom and top interface flanges for customer ductwork are 2" wide and side interface flanges are 1<sup>3</sup>/<sub>8</sub>" wide. • All interface flanges are located outside of the airstream. • Filters are 24" x 24" nominal.

## Accessory

Gauge Kit AB045513300 Includes Magnehelic<sup>†</sup> gauge, tubing, and connection fittings.

<sup>†</sup> Magnehelic is a registered trademark of Dwyer Instruments, Inc.  
Information contained in this document is subject to change without notice.



Donaldson Company, Inc.  
Dust Collection Group  
P.O. Box 1299  
Minneapolis, MN 55440  
800-365-1331  
www.torit.com  
e-mail: dustmktg@mail.donaldson.com

© 1992 Donaldson Co., Inc.  
Printed in U.S.A.  
Printed on Recycled Paper

Form Ultra-Lok (01/02)